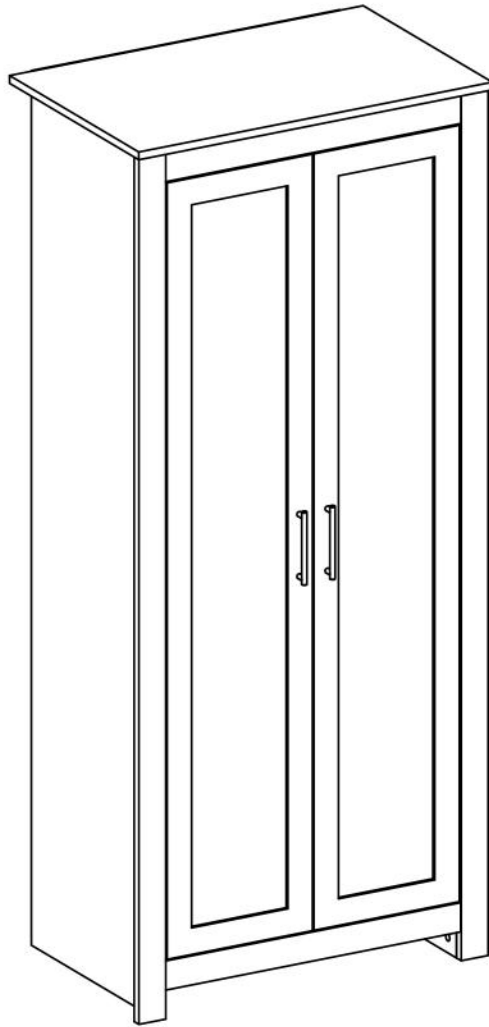
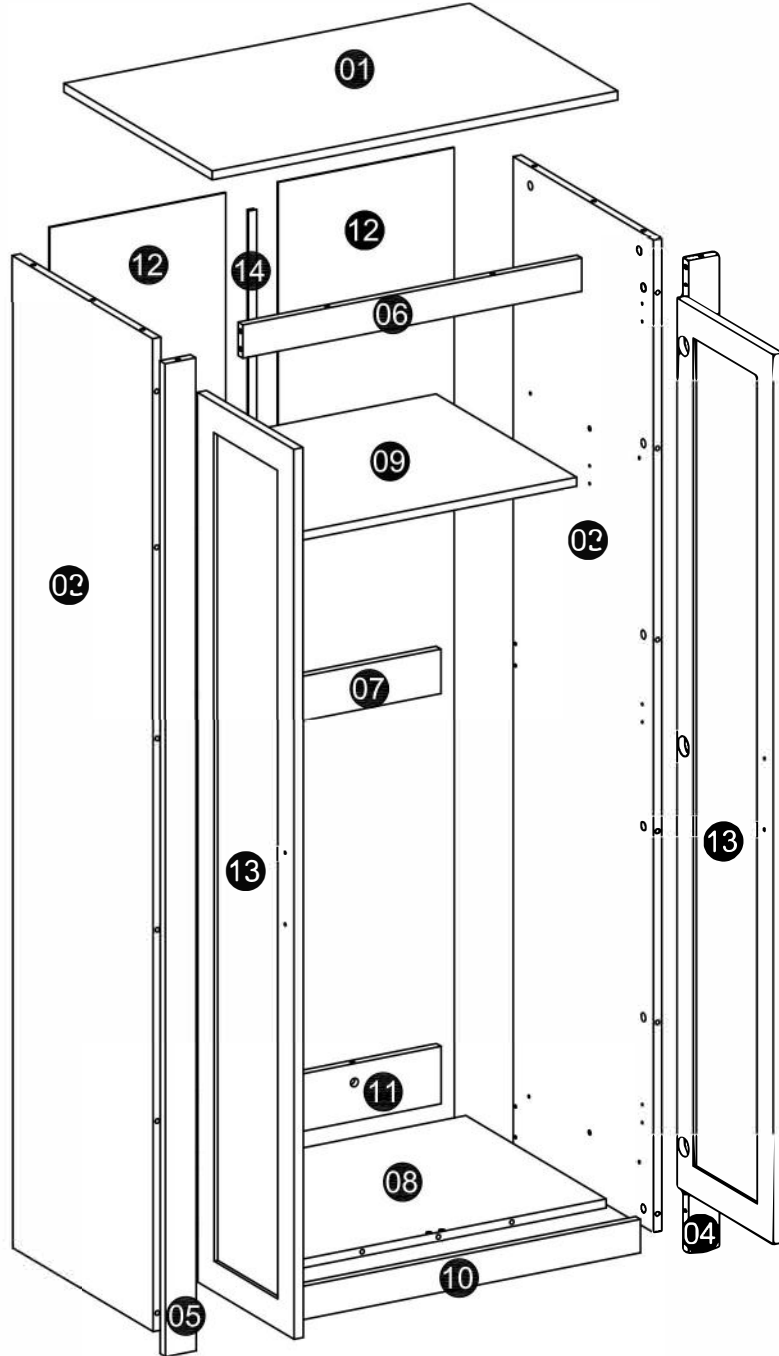
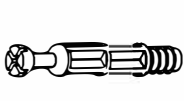

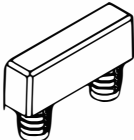
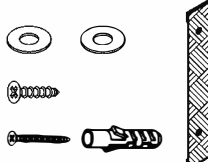

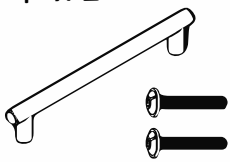
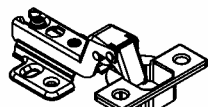

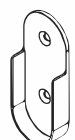




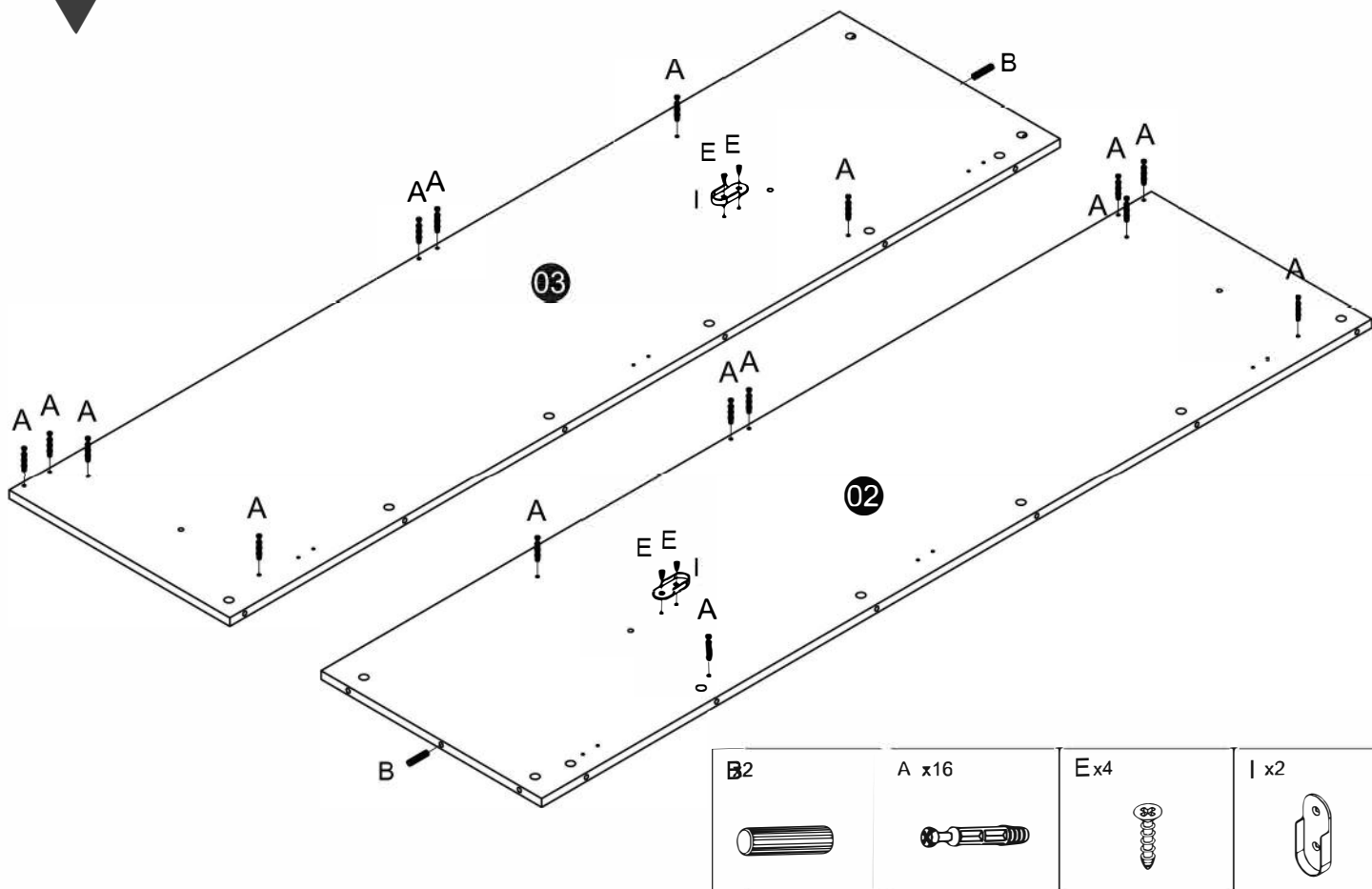
2 Doors wardrobe



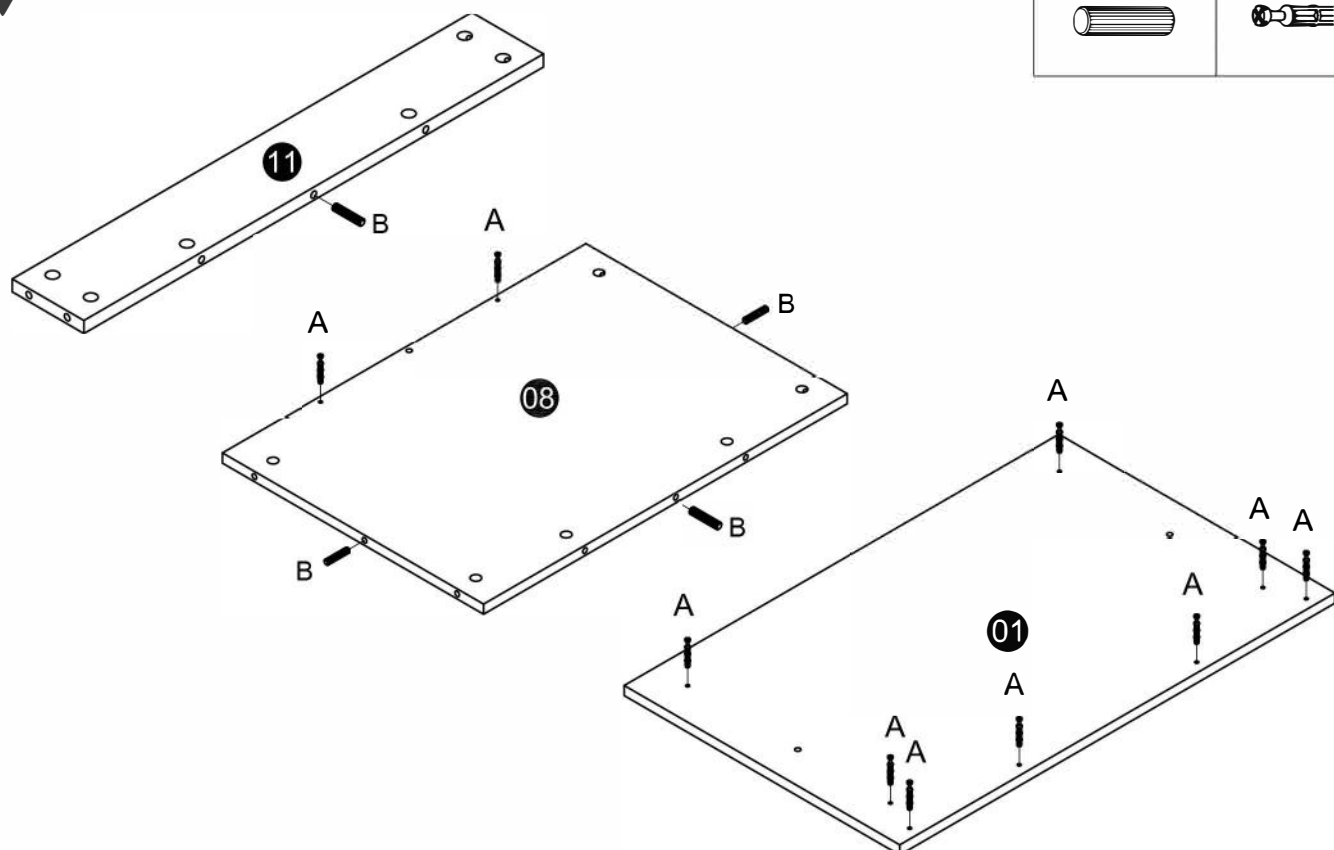


<p>A x44</p> 	<p>B x12</p> 	<p>C x1</p> 	<p>D x2</p> 	
<p>E x40</p> 	<p>F x2</p> 	<p>G x6</p> 	<p>H x1</p> 	<p>I x2</p> 
<p>J x60</p> 	<p>K x4</p> 			

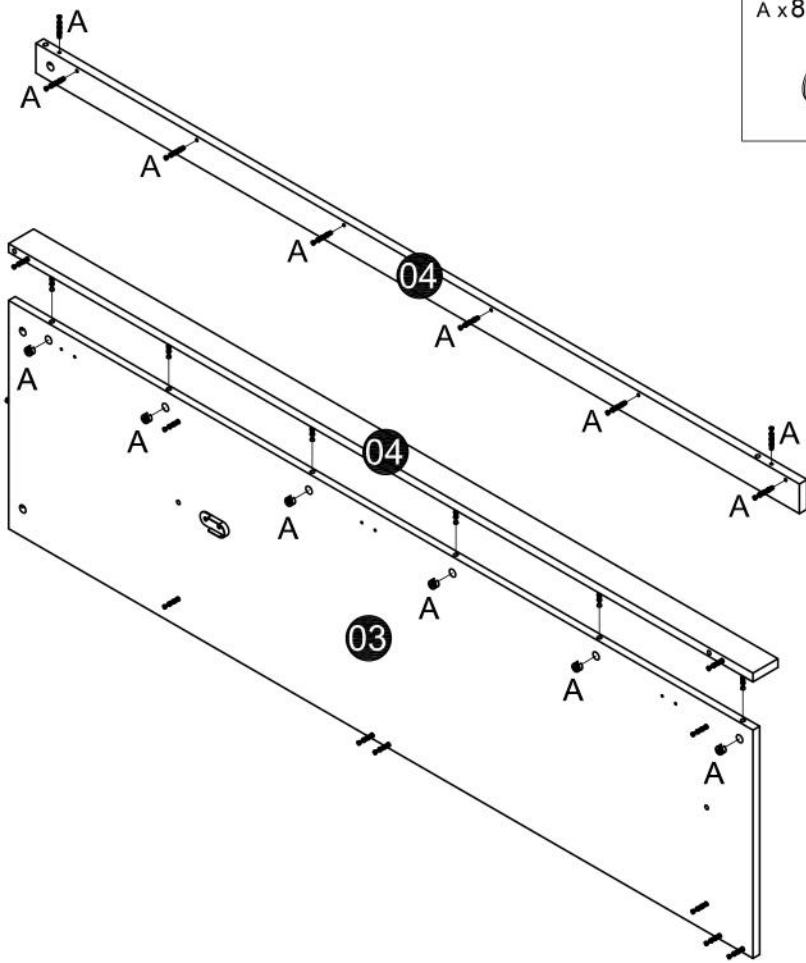
01



02



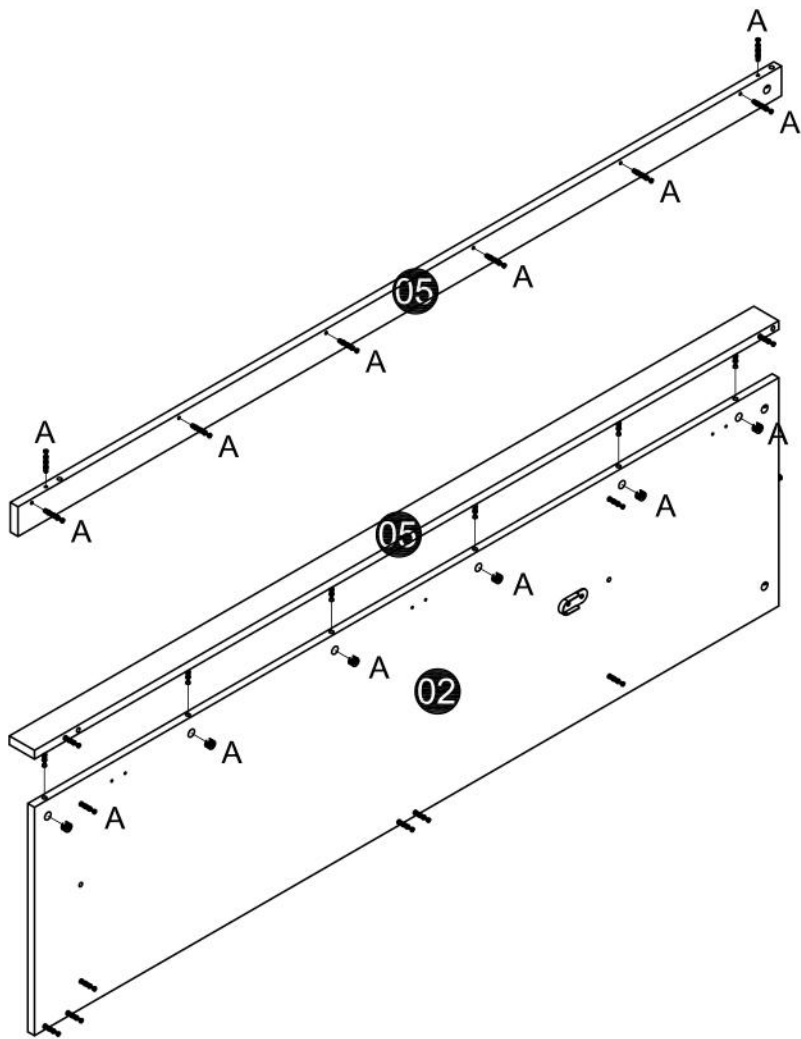
03



A x 8



04



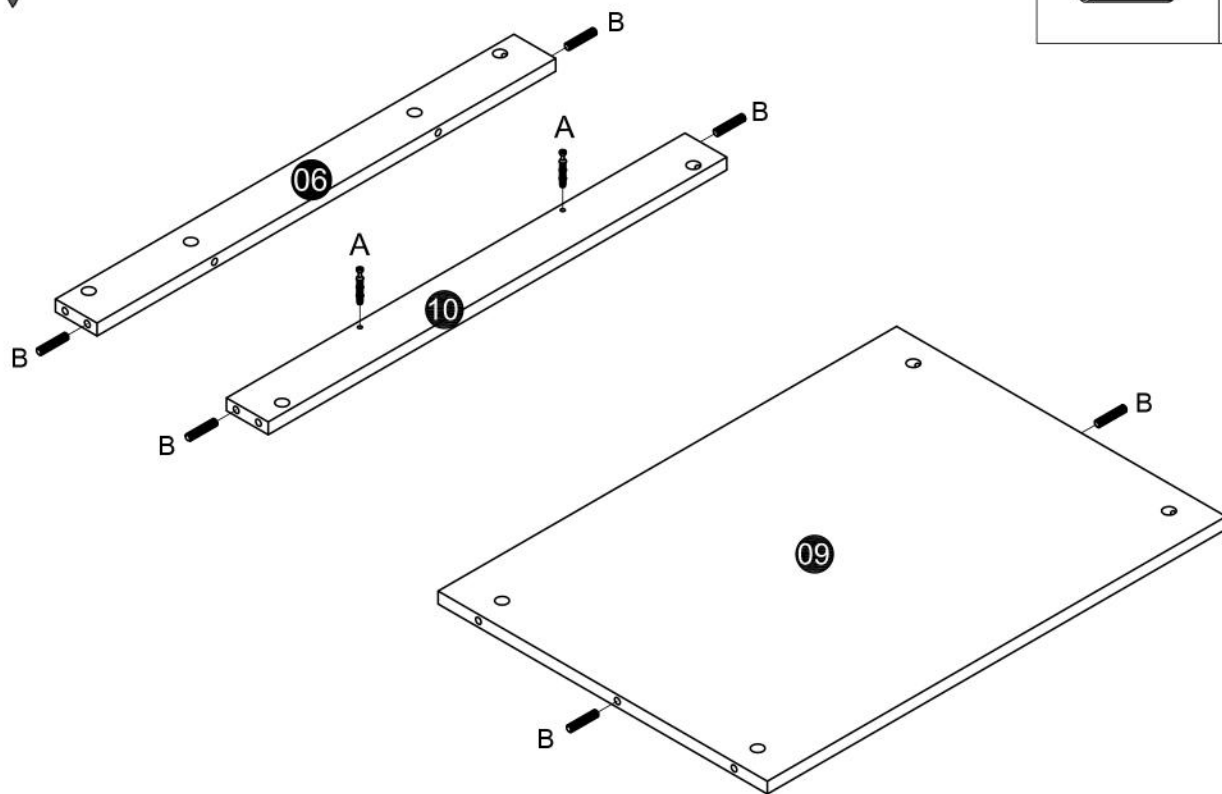
A x 8



05

B x6

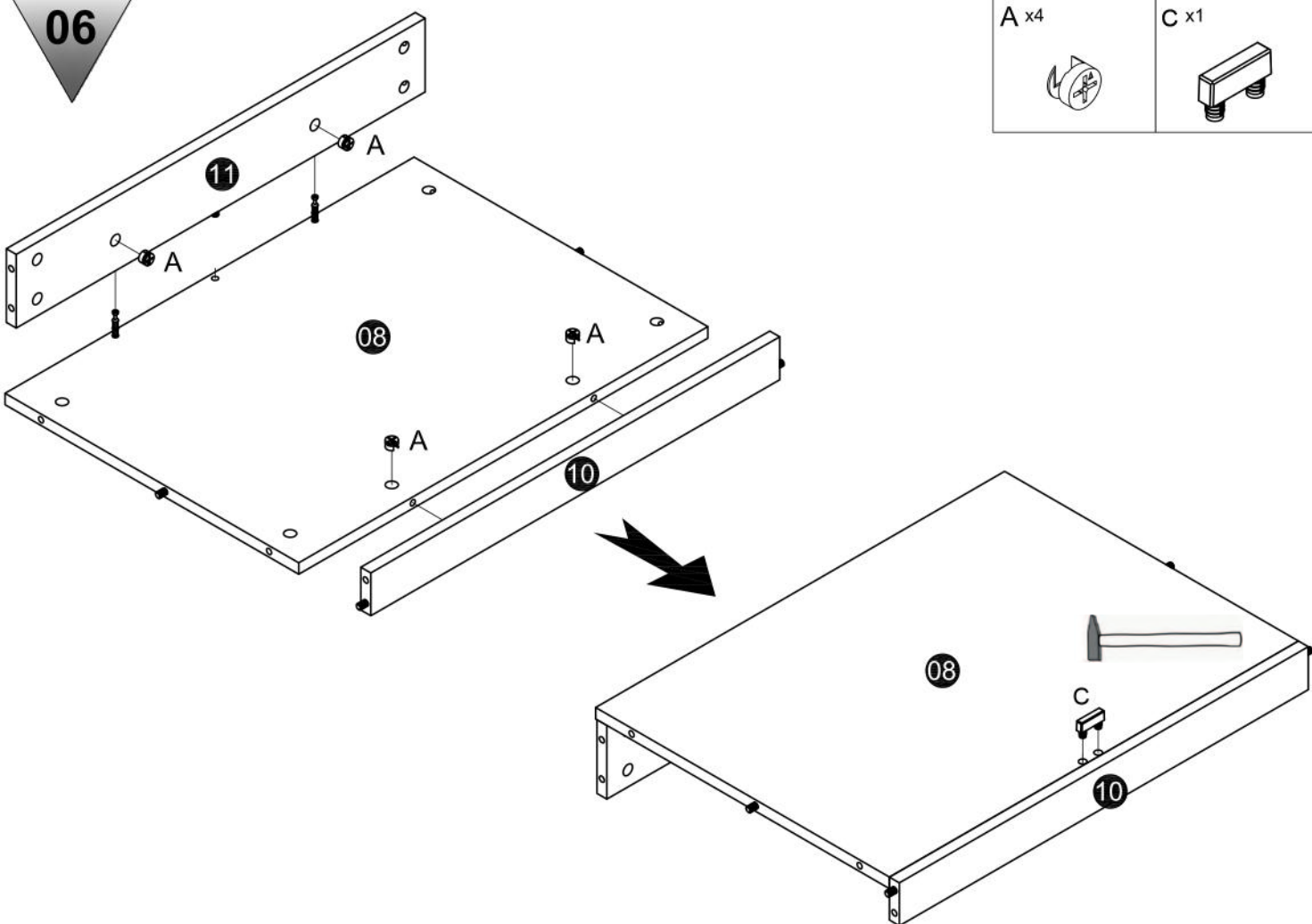
A x2



06

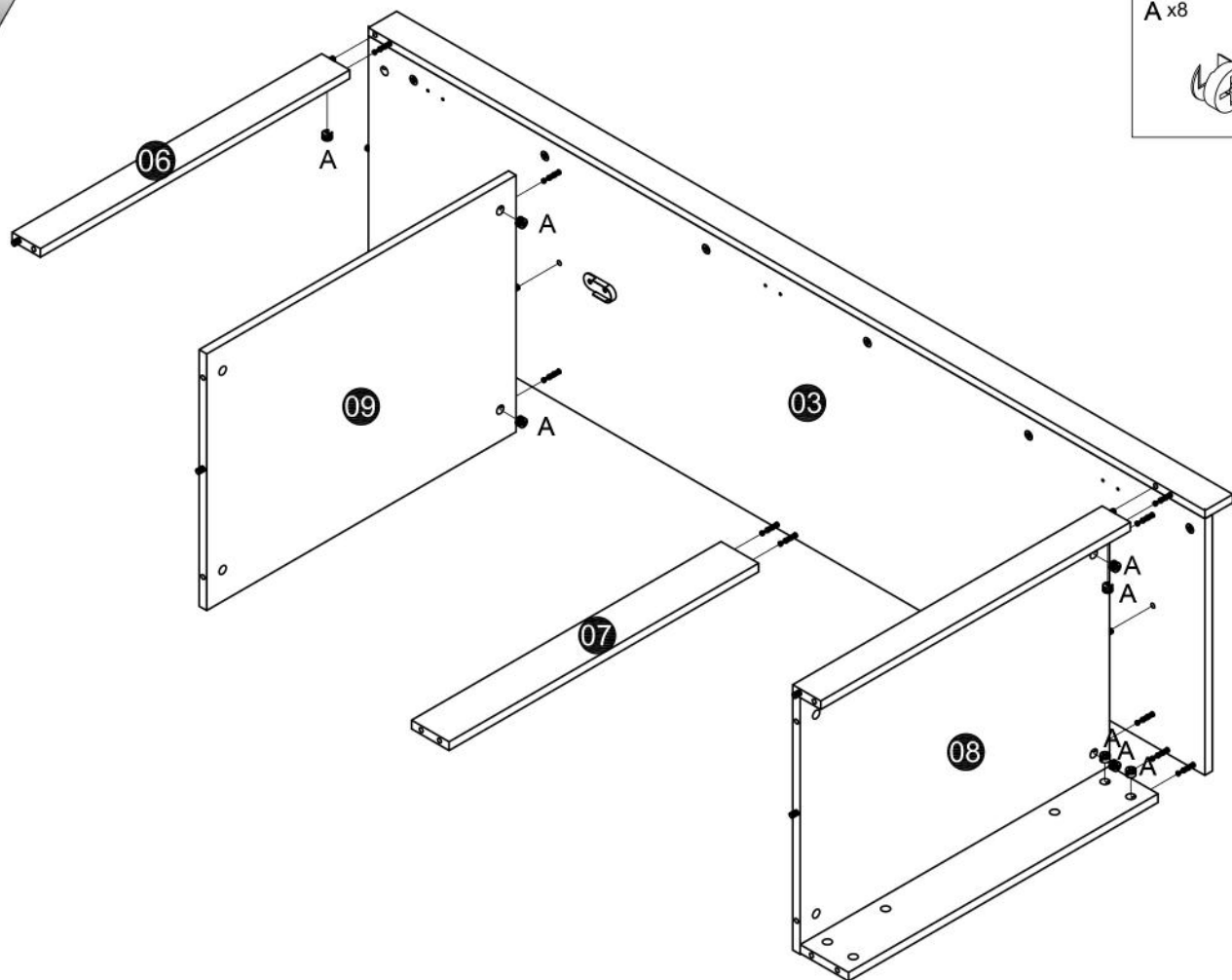
A x4

C x1



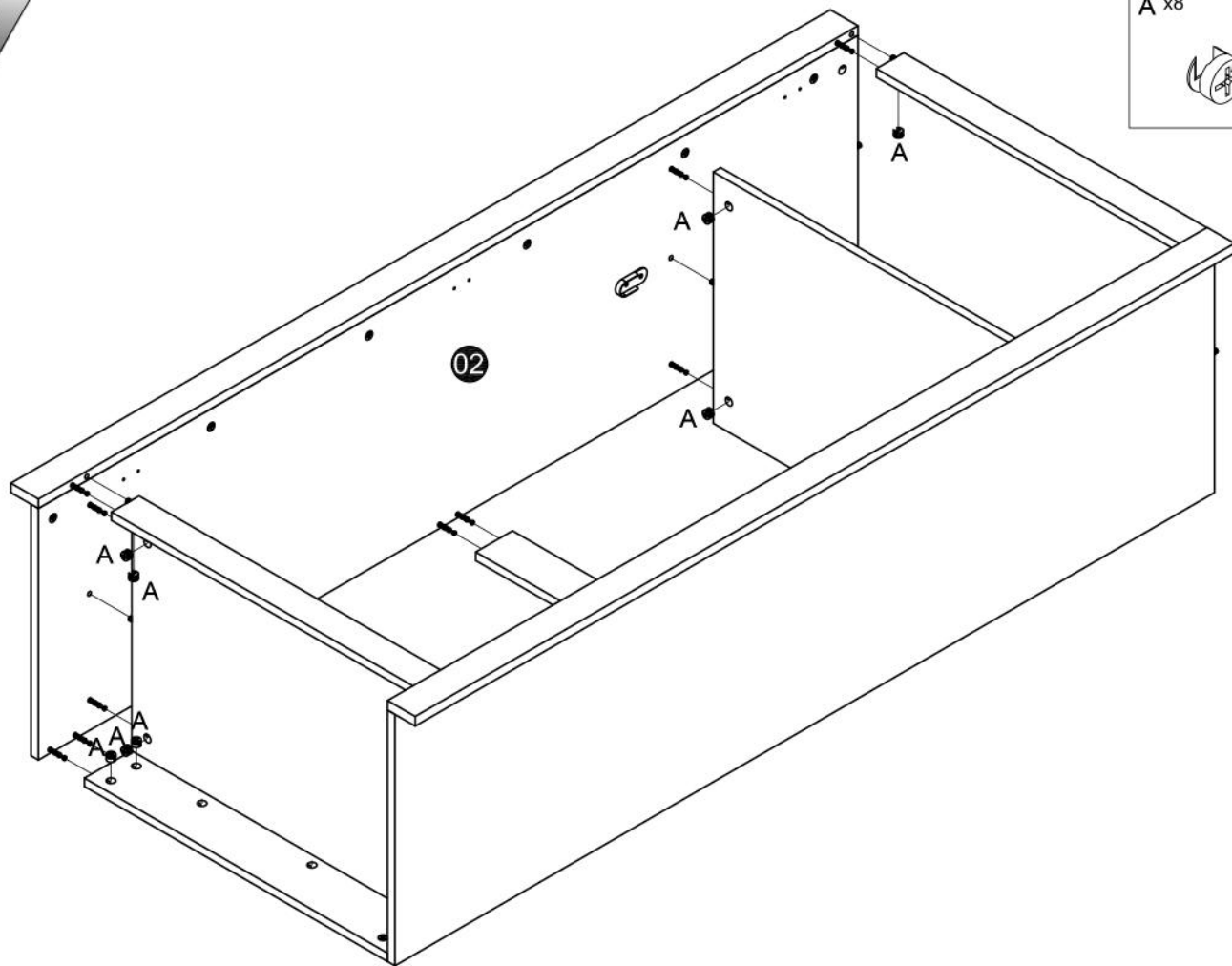
07

A x8

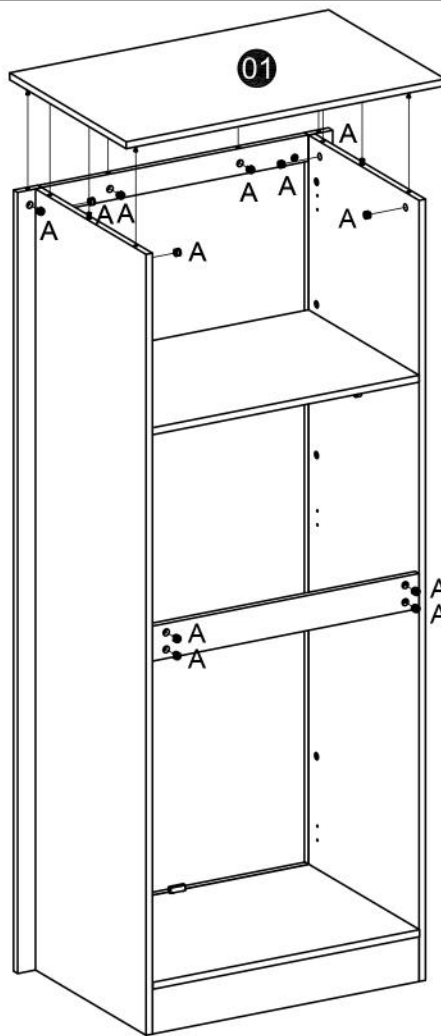


08

A x8



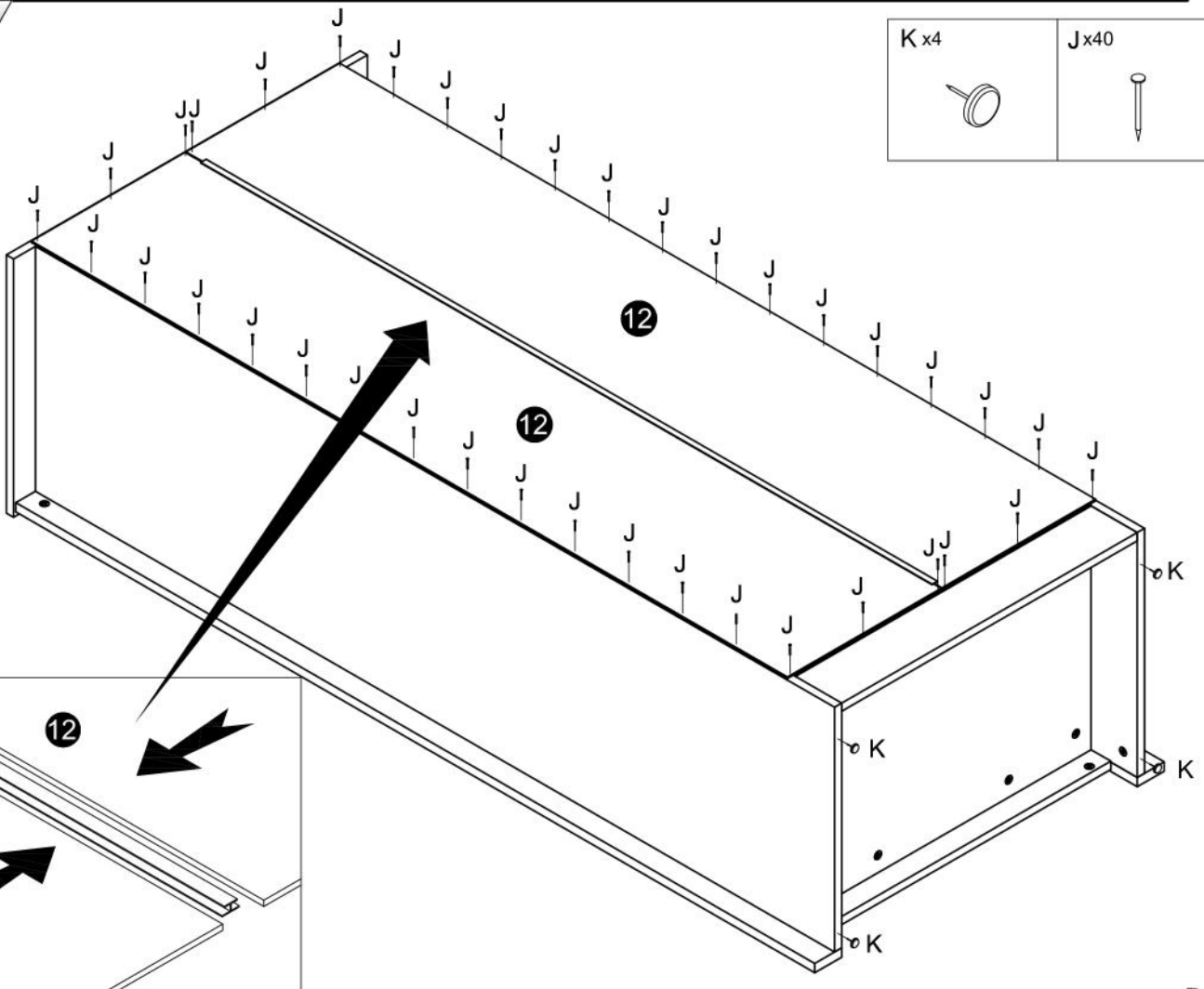
09



A x12



10



K x4

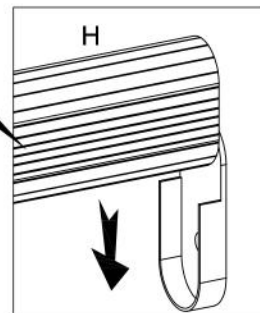
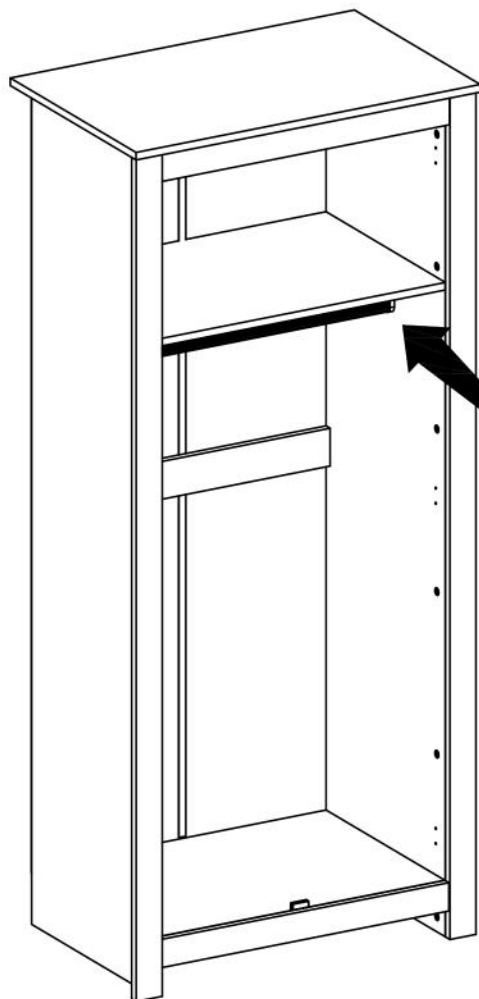


J x40



11

H x1



12

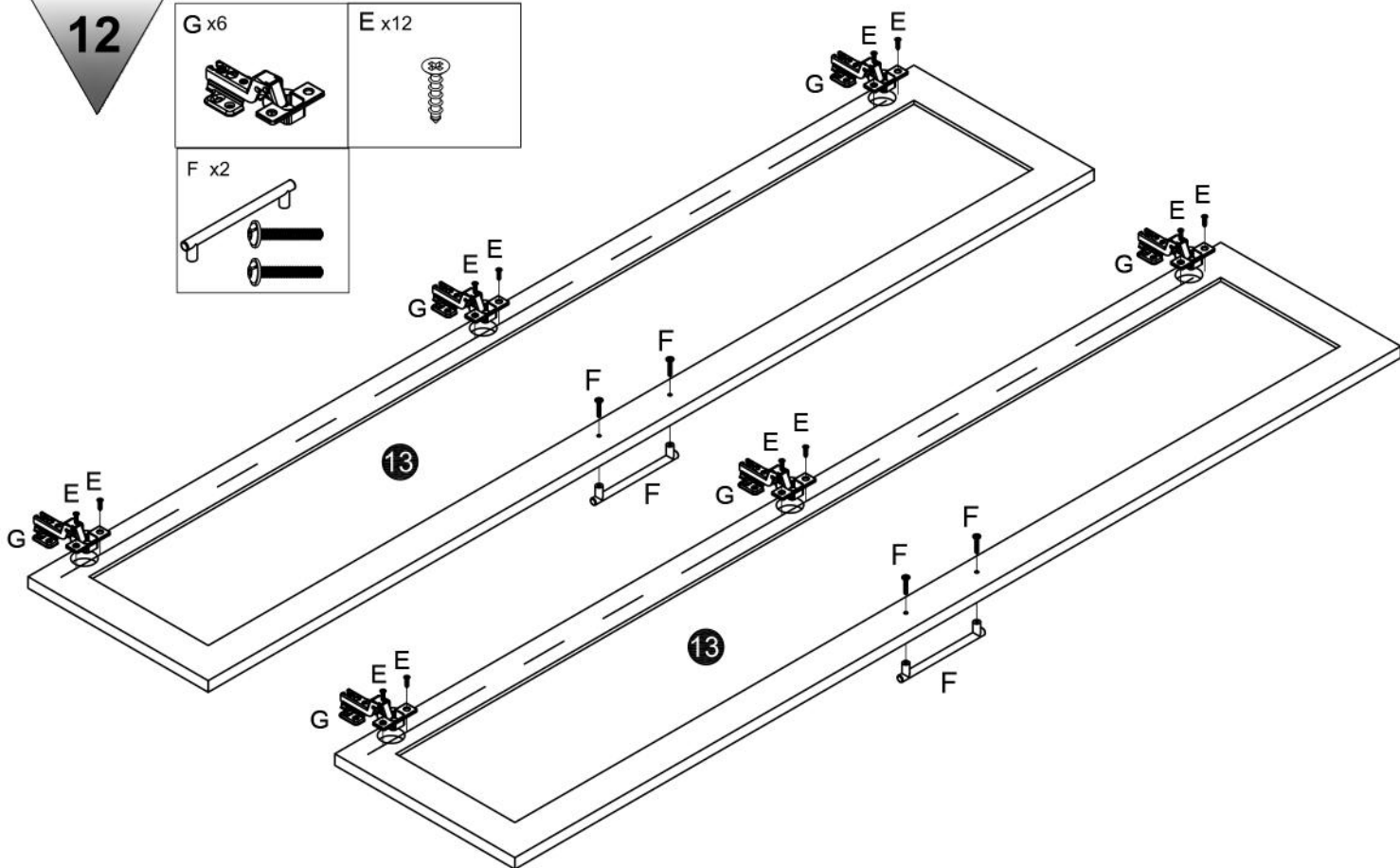
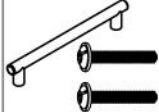
G x6



E x12

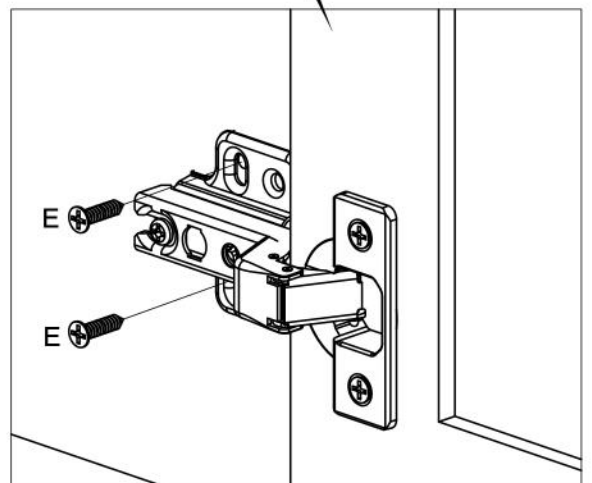


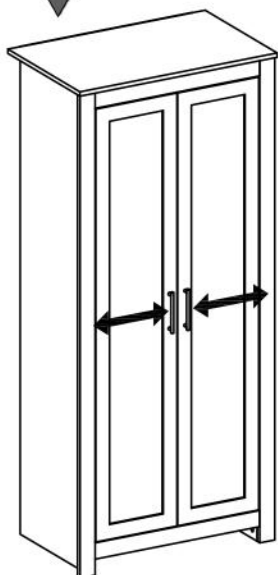
F x2



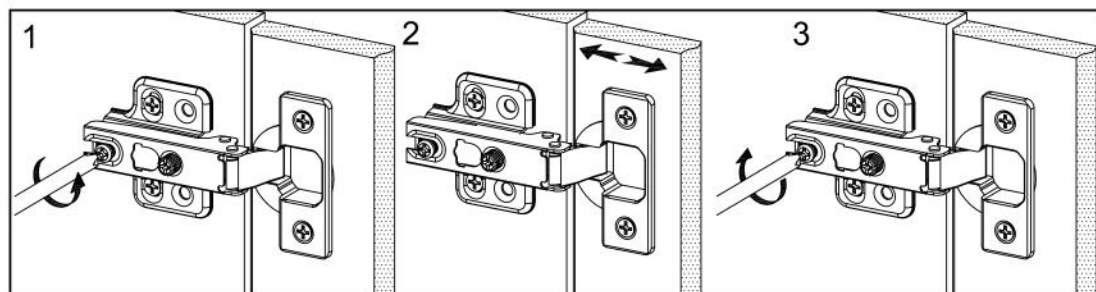
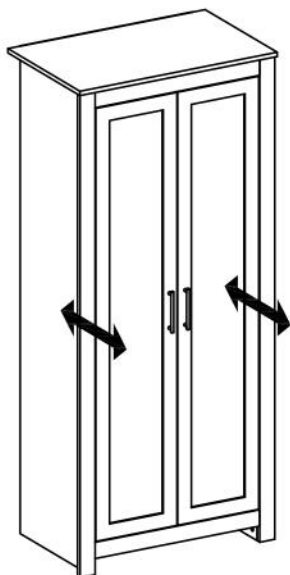
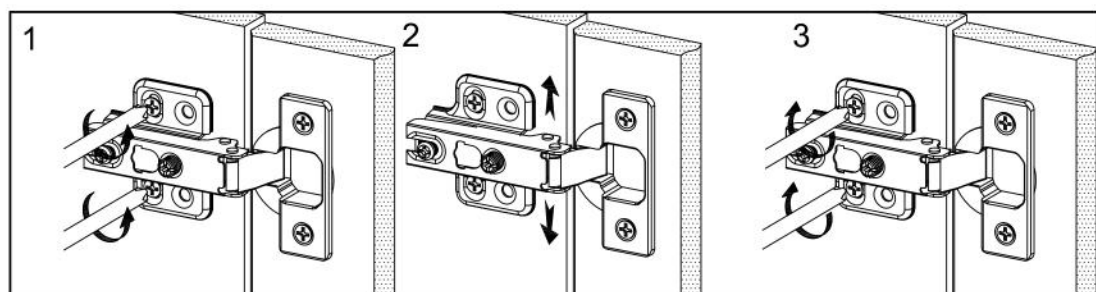
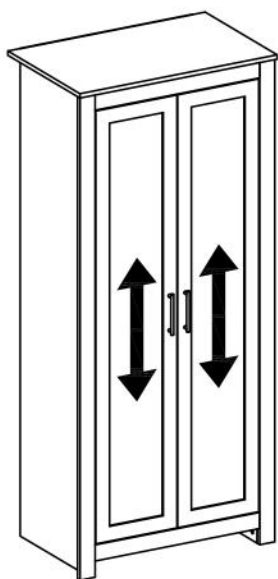
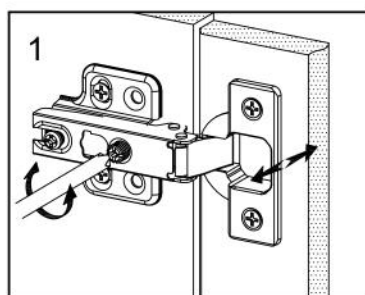


Please do not tighten
the screws!





Adjusting the doors (Adjusting the hinges)

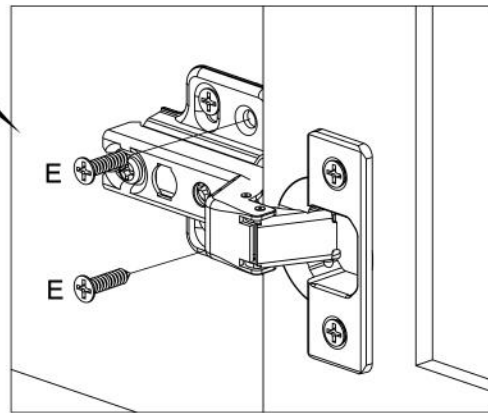


15

E x12



Before screwing the "E" screws make sure your doors are well adjusted.



16

D x2

